

Bed knife with tungsten carbide inserts

Strong wear protection for Primo, Primo^{Plus} & M-ASG machines



When pelletizing abrasive materials the impact of pellets to the knife body causes it to wear out and eventually a replacement knife body is needed.

For highly abrasive products we have developed tungsten carbide inserts that protect the knife body from any wear.

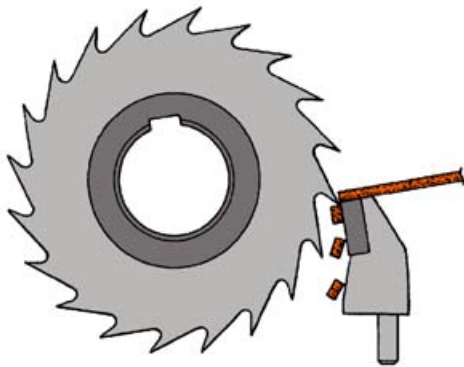
Your benefits

- Strong wear protection of the knife body
- Easy exchange of the tungsten carbide inserts
- Reduction of maintenance expenses

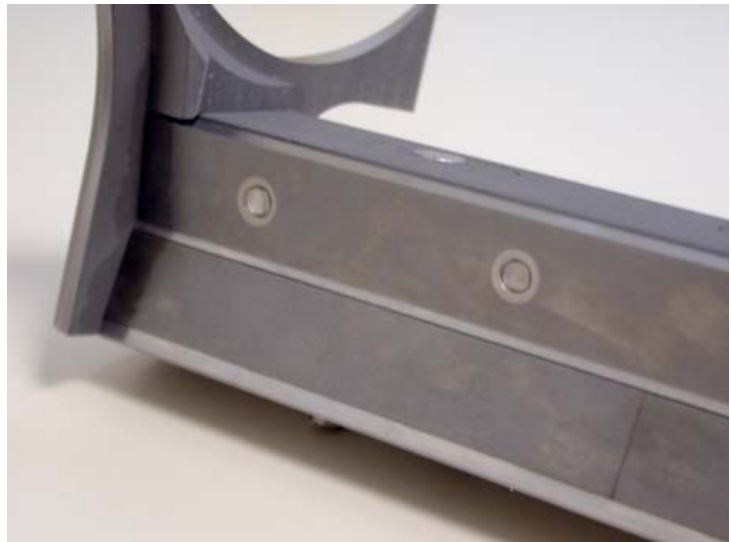
Bed knife with tungsten carbide inserts

Strong wear protection for Primo, Primo Plus & M-ASG machines

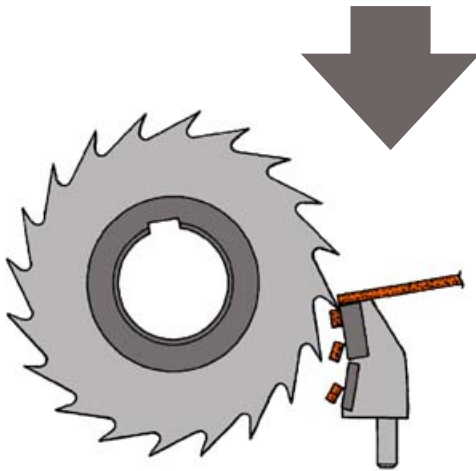
Normal wear can be reduced by using wear protection coatings. However, for highly abrasive products we have developed tungsten carbide inserts that protect the knife body from any wear.



Knife body exposed to wear



M-ASG Version



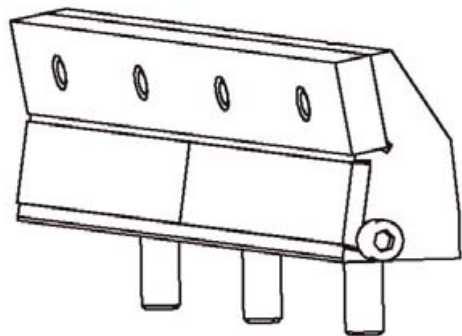
Knife body protected by insert

The tungsten carbide inserts slide into a groove on the knife body and prevent the pellets from touching the knife body. Only the inserts are subject to wear and can be replaced separately when worn out.

The inserts are held in place by a swallowtail recess, so no screws through the inserts or glue are necessary.

Advantages

- Due to patented design, wear will only occur on the inserts, not on the knife body.
- Protecting the knife body from wear results in less expenses.
- Inserts are easily changed by sliding in and out of the groove after releasing the fixing screw.
- Inserts can individually be changed depending on grade of wear.
- Inserts are more durable than most wear protection coatings.
- Inserts can't flake off like certain wear protection coatings after heavy wear.
- No screws or other weak points that could be hit and worn by pellets due to swallowtail recess.



Primo^{Plus} Version

Should you have any questions, please contact us by phone or email.